



Cover 1:
Columbia Natural

Cover 2:
Brassan Mono

Cover 1:
Roland Moss

Cover 2:
Brassan Mono

Walnut Feet

Hanson Collection

Extra Flex[®]
Soft, Supportive Seating

Colours represented are to be used as a guide only.
Please refer to manufacturers swatch for a more accurate colour match.

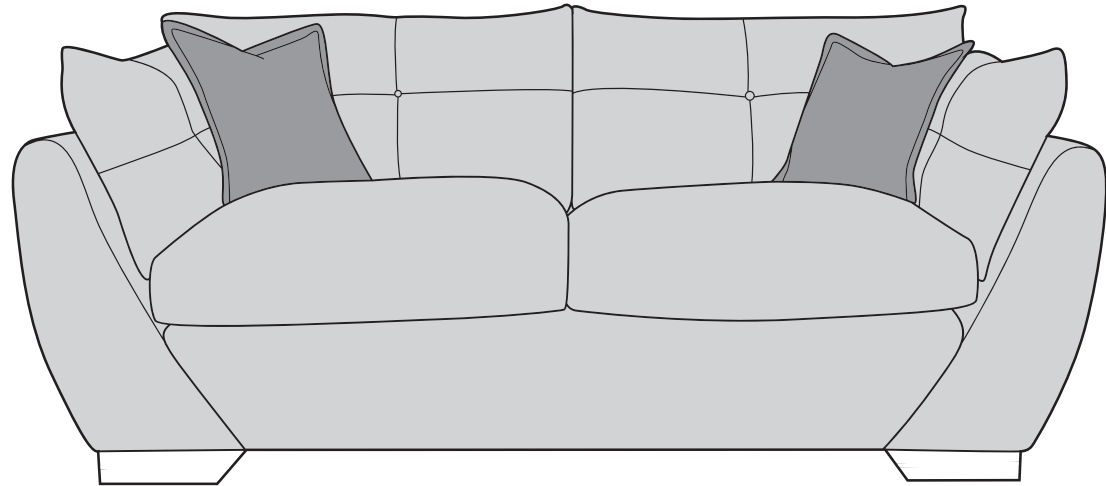
Please note that colour shadings can vary slightly from each roll of fabric.
We cannot guarantee a precise match to these samples or between cut lengths and upholstered goods.

19/01/2024

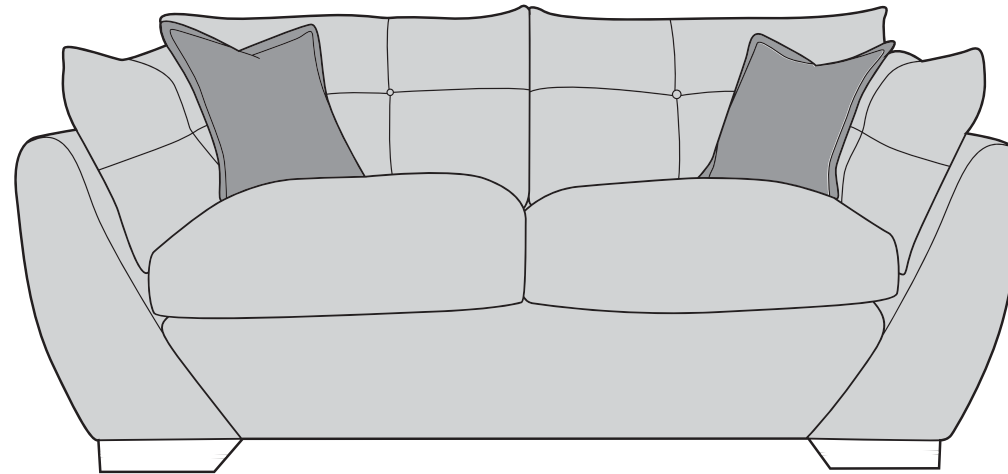
HANSON COVER GUIDE: STANDARD BACK

Please use this guide when ordering the following pieces to clarify cover options.

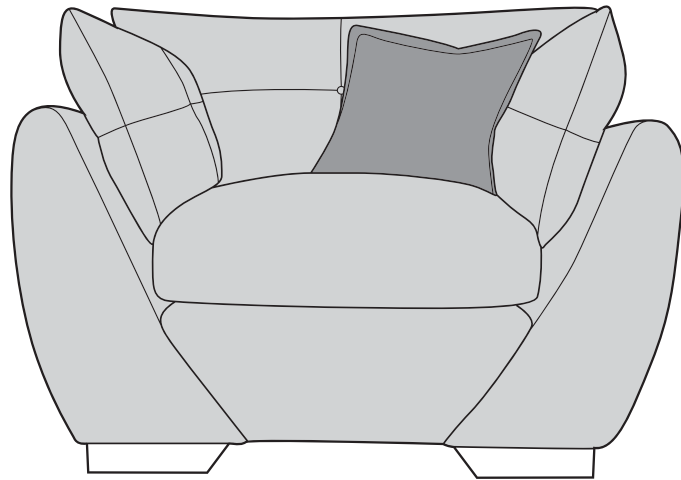
3 Seater Sofa - 3ST-S-C



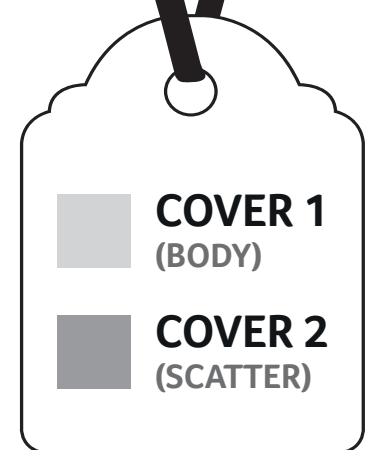
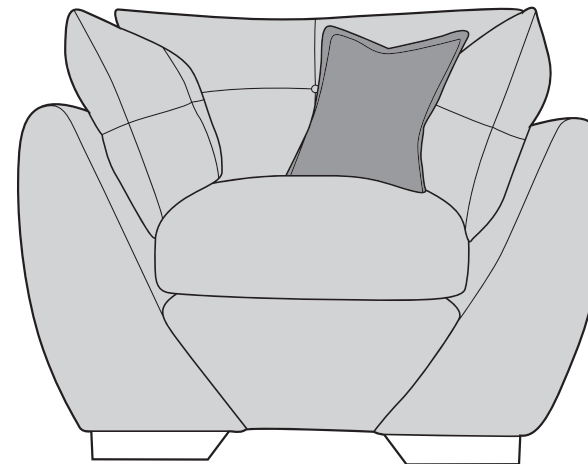
2 Seater Sofa - 2ST-S-C



Love Chair - LOV-S-C

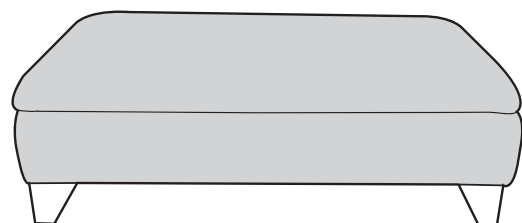


Arm Chair - 1ST-S-C



SUGGESTED ACCENT PIECES

Austin Storage Footstool (FSS)



HANSON DIMENSIONS (CM)

AVAILABLE PIECES	HEIGHT 1	WIDTH 2	DEPTH 3	SEAT HEIGHT 4	SEAT DEPTH 5	SEAT WIDTH 6	ACCESS DIAGONAL 7	OUTBACK HEIGHT 8	ARM HEIGHT 9	WEIGHT (KG)	SCATTER CUSHIONS
3 SEATER SOFA (3ST)	95	209	98	53	59	146	226	71	67	62.5	2 SCATTERS
2 SEATER SOFA (2ST)	95	186	98	53	59	123	204	71	67	54.5	2 SCATTERS
LOVE CHAIR (LOV)	95	130	98	53	59	67	157	71	67	45	1 SCATTER
ARMCHAIR (1ST)	95	112	98	53	59	47	143	71	67	40.5	1 SCATTER
ACCENT PIECES											
AUSTIN STORAGE FOOTSTOOL (FSS)	37	104	64	N/A	N/A	N/A	117	N/A	N/A	21.5	N/A

* Hardwood & composite board frame.

* Dowelled, screwed, glued & stapled joinery.

* Available in a choice of Mid Oak or Walnut wood foot

* Extraflex high comfort seat cushions.

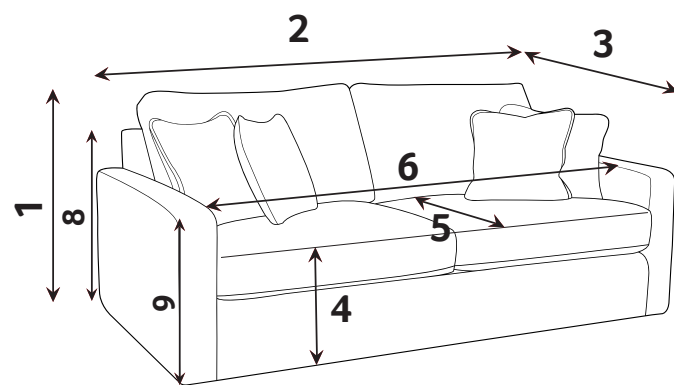
* Fibre filled standard backs for added comfort.

* Feather filled scatters included. 

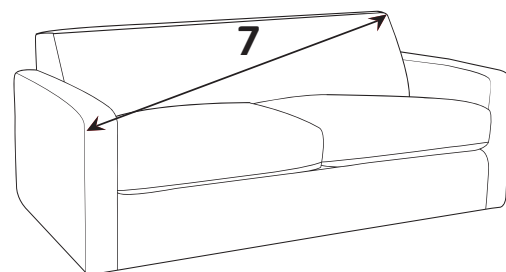
* Serpentine seat springs & silent wire.

* Elasticated back webbing.

DIMENSION GUIDE



Check the diagonal access dimension to ensure furniture will fit in your home.



- 1 - HEIGHT
- 3 - DEPTH
- 5 - SEAT DEPTH (STD & PILLOW)
- 7 - DIAGONAL ACCESS
- 2 - WIDTH
- 4 - SEAT HEIGHT
- 6 - SEAT WIDTH
- 8 - OUTBACK HEIGHT
- 9 - ARM HEIGHT

Illustrations used for reference only.

Extra Flex®

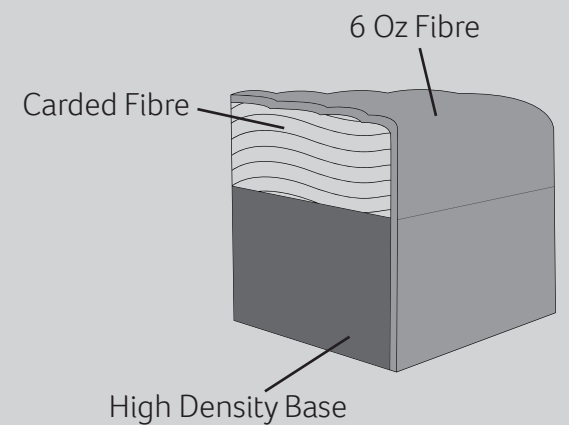
A high density foam base seat interior with a hand-rolled carded fibre, channelled topper which provides both softness and support.

CARE GUIDE

Extraflex seat cushions should be **plumped up on a regular basis** to help maintain the aesthetical appeal of your upholstery, the plumping of cushions is essential to help retain the comfort and softness of any piece of upholstered furniture.

To improve the longevity of your hand-made furniture, we recommend rotating cushions (where applicable).

For further information on maintaining your furniture please refer to the care guide located under the seat platform.



Front Foot

Back Foot

Mid Oak

Walnut

Mid Oak

Walnut

Foot Options:



Please note : All dimension are approximate. Allow tolerance of +/- 2.5cm.

Wood is a natural product and will vary in shade/colour from item to item. Feet may require fitting.



19/01/2024